

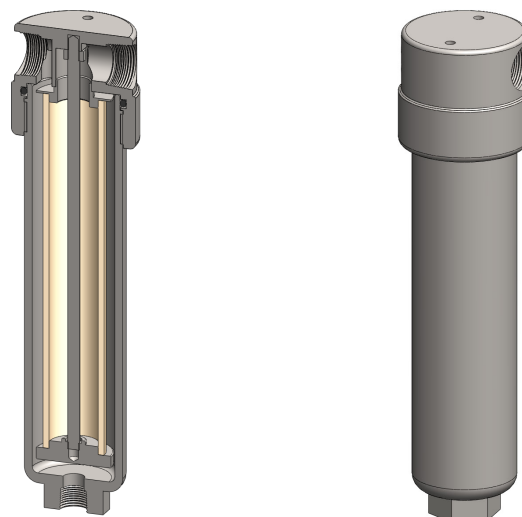
Materials 316L Stainless Steel
Pressure 1500 psi
Ports 1/4", 1/2" or 3/4"
Element 25.178.□

SS235 series filter housings are specified for 1/4" & 1/2" line size applications where contamination or the flow rate is high. Higher pressure versions are available for applications over 1500 psi, see the SS236 and SS238 series housings. The SS215 series offers a more compact design for lower flow rates.

Standard housings have NPT ports and a Viton seal. Other seal types are available as an option. BSPT and BSPP port types are also available.

The housings are free from welds and comply with NACE MR-01-75 and conform to SEP of PED 2014/68/EU.

These housings can also be supplied in a wide range of exotic materials, such as Hastelloy, Monel, Titanium etc.



Technical Specifications

| Housing Model | SS235.201 | SS235.221 | SS235.401 | SS235.421 | SS235.441 | SS235.501 | SS235.521 | SS235.541 |
|---------------------------------------|------------|------------|------------|------------|------------|------------|------------|------------|
| Port Size | 1/4" NPT | 1/4" NPT | 1/2" NPT | 1/2" NPT | 1/2" NPT | 3/4" NPT | 3/4" NPT | 3/4" NPT |
| Drain | None | 1/4" NPT | None | 1/4" NPT | 1/2" NPT | None | 1/4" NPT | 1/2" NPT |
| Maximum Pressure, psi (1) | 1500 | 1500 | 1500 | 1500 | 1500 | 1500 | 1500 | 1500 |
| Maximum Temperature, °F (2) | 390 | 390 | 390 | 390 | 390 | 390 | 390 | 390 |
| Materials of Construction (3) | | | | | | | | |
| Head, Bowl & Internals | 316L SS | 316L SS | 316L SS | 316L SS | 316L SS | 316L SS | 316L SS | 316L SS |
| Seal (4) | Viton | Viton | Viton | Viton | Viton | Viton | Viton | Viton |
| Filter Element Code (5) | 25.178.□ | 25.178.□ | 25.178.□ | 25.178.□ | 25.178.□ | 25.178.□ | 25.178.□ | 25.178.□ |
| Adsorber Cartridge Code (6) | 25.178.AD□ | 25.178.AD□ | 25.178.AD□ | 25.178.AD□ | 25.178.AD□ | 25.178.AD□ | 25.178.AD□ | 25.178.AD□ |
| Principle Dimensions in inches | | | | | | | | |
| Diameter | 2.35 | 2.35 | 2.35 | 2.35 | 2.35 | 2.75 | 2.75 | 2.75 |
| Height | 9.50 | 9.50 | 9.50 | 9.50 | 9.50 | 10.05 | 10.05 | 10.05 |
| Volume, cc | 265 | 265 | 265 | 265 | 265 | 270 | 270 | 270 |
| Weight, lbs | 4.30 | 4.30 | 4.30 | 4.30 | 4.30 | 6.50 | 6.50 | 6.50 |
| Accessories | | | | | | | | |
| Support Core | SC.SS23 | SC.SS23 | SC.SS23 | SC.SS23 | SC.SS23 | SC.SS23 | SC.SS23 | SC.SS23 |
| Mounting Bracket | MB.SS21 | MB.SS21 | MB.SS21 | MB.SS21 | MB.SS21 | MB.SS21 | MB.SS21 | MB.SS21 |

Notes

- (1) Above 390°F the pressure rating is reduced, consult us for the exact rating at any specific temperature
- (2) Maximum temperature 390°F using standard seal. For temperatures up to 615°F use a Chemraz seal
- (3) Material abbreviations, 316L SS = 316L Stainless Steel
- (4) Add suffix for other seal types, PTFE = .T, Chemraz = .C, Nitrile = .N, Kalrez = .K, EPDM = .E, Silicone = .S, (e.g. SS235.221.T)
- (5) Replace the □ with the grade required, e.g. 25.178.SCK, 25.178.S20V, 25.178.T20
- (6) Replace the □ with the type required, e.g. 25.178.AD01



Contact Us

Classic Filters Ltd.
Sextant Park
Neptune Close
Rochester
Kent
England
ME2 4LU

T +44 (0)1634 724224
F +44 (0)1634 724234
E info@classicfilters.com
W www.classicfilters.com

Follow Us



<http://www.linkedin.com/company/classic-filters-ltd.>



<http://www.twitter.com/classicfilters>